

maximo COAX

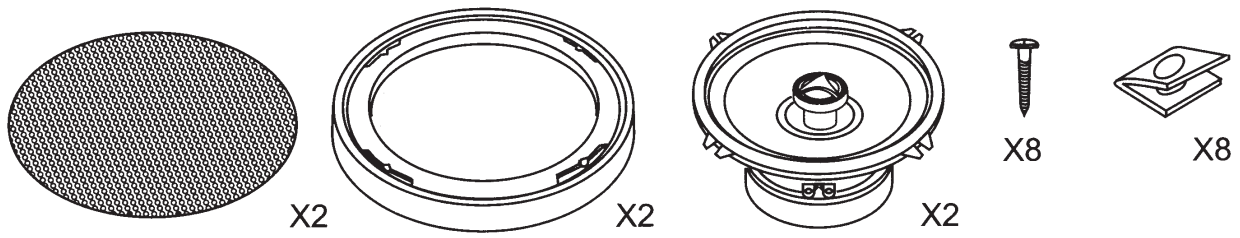
4" / 5¹/₄" / 6¹/₂" / 6x9"

Installation Instructions

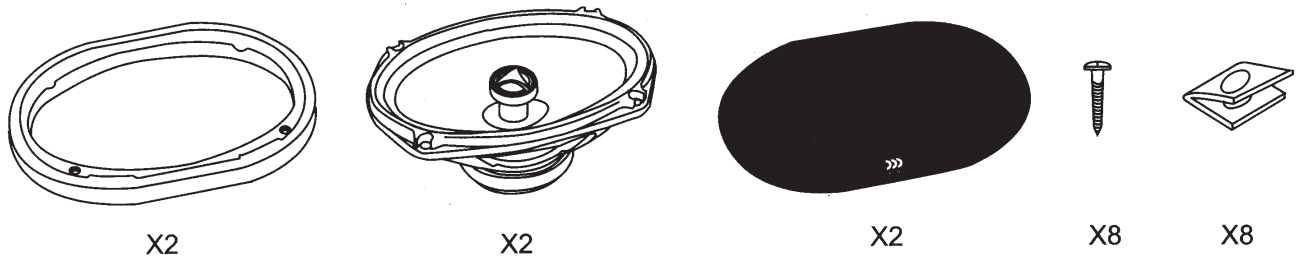


www.morelhifi.com

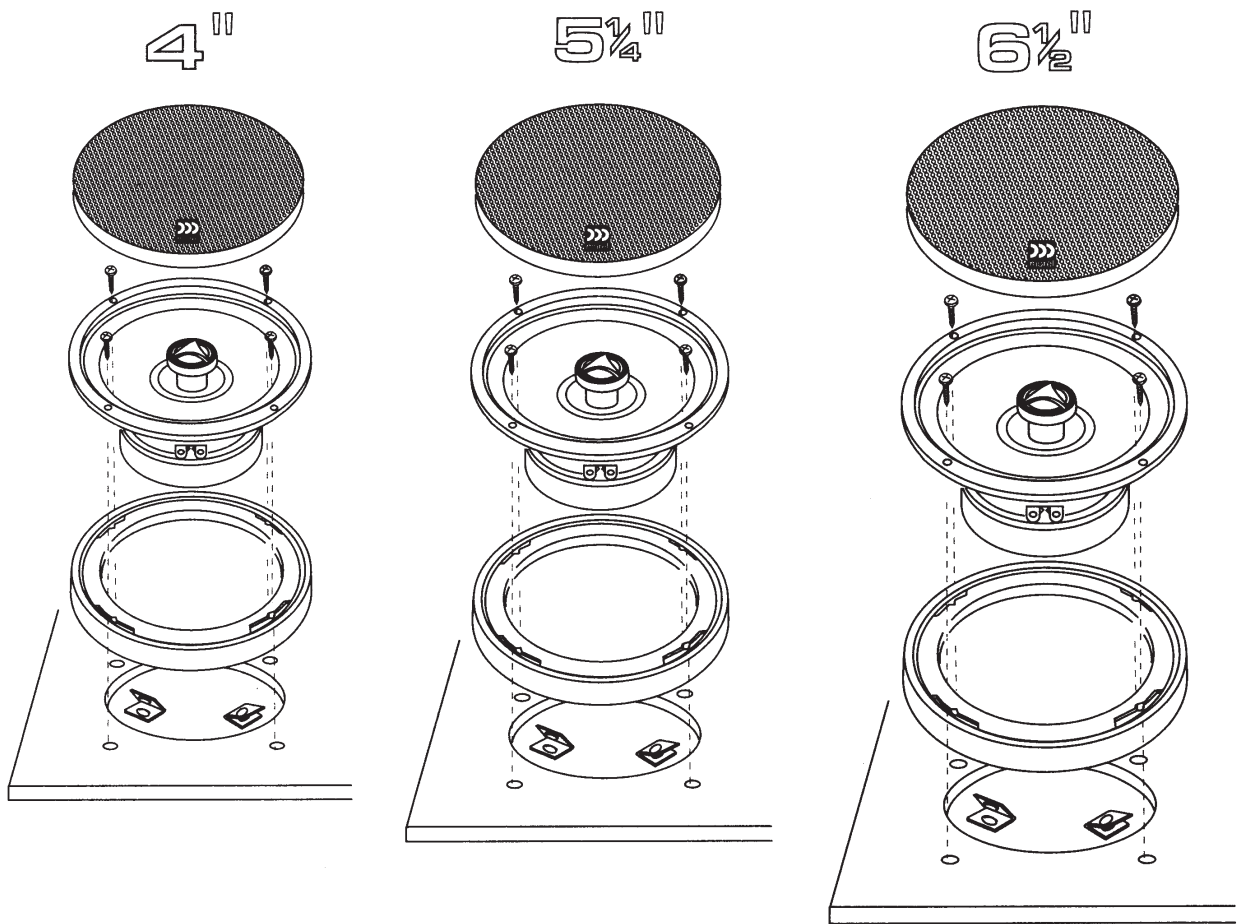
Content - 4" / 5¼" / 6½"



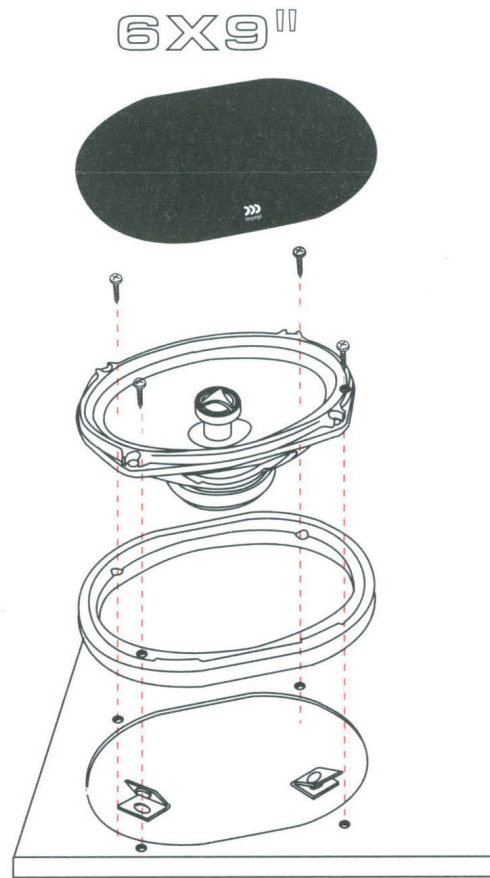
Content - 6x9"



Woofer Mounting

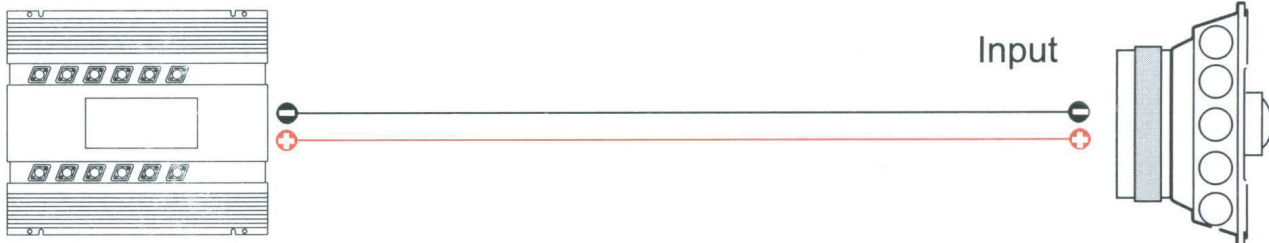


Woofer Mounting



Connection Diagram

Amplifier/Head unit



Specifications

Maximo Coax		4"	5 1/4"	6 1/4"	6X9"
Nominal Impedance		4 ohm	4 ohm	4 ohm	4 ohm
Power Handling		45W	70W	80W	100W
Max. Transient Power Handling		100W	140W	160W	200W
Sensitivity (2.83V/1M)		87.5dB	89.5dB	91dB	90dB
Frequency Response		75-20,000 Hz	55-20,000 Hz	55-20,000 Hz	45-20,000 Hz
Voice Coil Diameter	Woofers:	25mm(1")	25mm(1")	25mm(1")	25mm(1")
	Tweeters:	19mm(0.8")	19mm(0.8")	19mm(0.8")	19mm(0.8")
Voice Coil Wire		Copper	Copper	Copper	Copper
Magnet System	Woofers:	High grade ferrite magnet	High grade ferrite magnet	High grade ferrite magnet	High grade ferrite magnet
	Tweeters:	Neodymium	Neodymium	Neodymium	Neodymium
Mounting Depth		52mm (2.1")	56mm (2.2")	63mm (2.5")	81mm (3.24")

