



02786



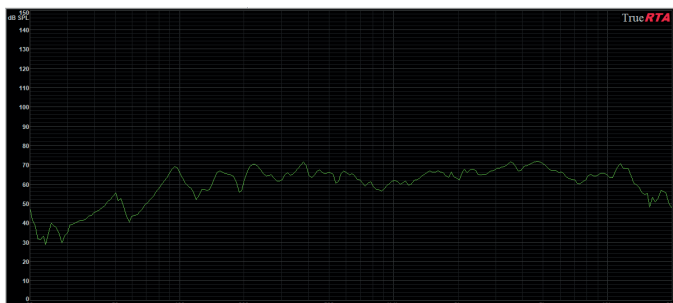
PAIR OF MID-WOOFERS
160 W Ø 165 mm



DYNAMIC MID-WOOFERS
FOR HI-FI SYSTEMS
AT HIGH SOUND PRESSURE.

- INTENSE AND ENVELOPING BASS FOR A TOP-NOTCH LISTENING EXPERIENCE.
- HIGH EFFICIENCY LINEAR FREQUENCY RESPONSE.
- HARMONIC DISTORTIONS AT THE LOWEST LEVELS.
- EXCEPTIONAL ON SPL SYSTEMS.

RESPONSE CURVE

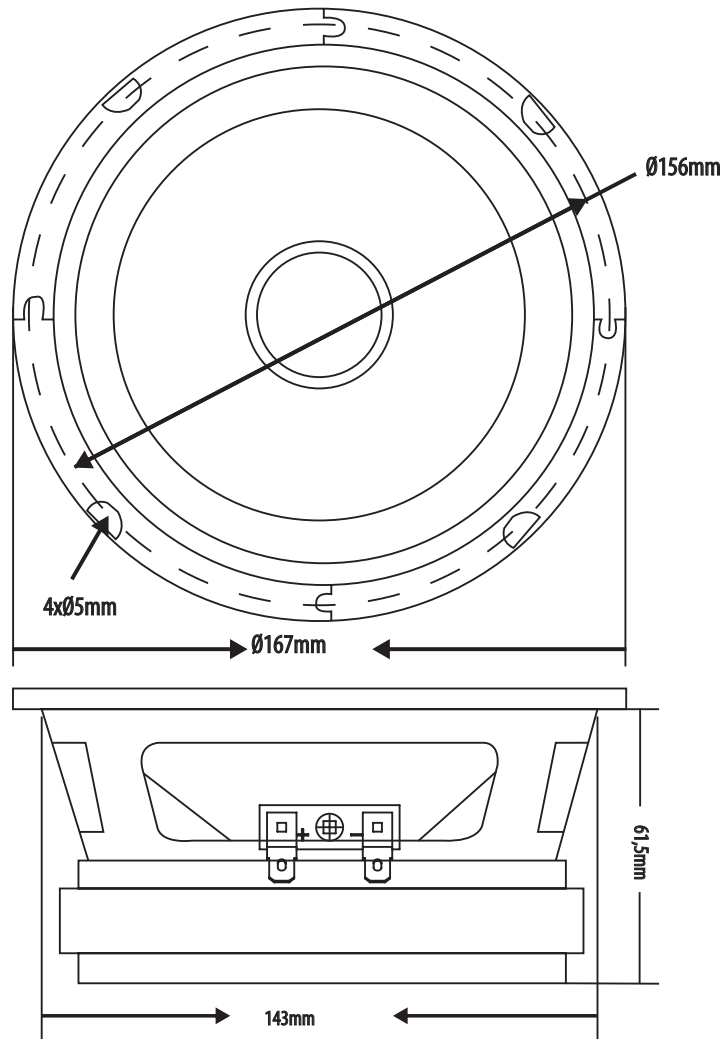


MATERIALS AND TECHNOLOGY

- Exponential curvature treated cellulose diaphragm.
- Double-wave cotton-fibre suspension.
- Coil 38.

MID-WOOFER 02786 TECHNICAL FEATURES

Peak Power 160 W.
RMS Power 80 W.
Frequency response 150÷10.000 Hz.
Fs 103,192 Hz.
SPL 1W/1m 91,5 dB.
Qms 9,965.
Qes 0,514.
Qts 0,489.
Vas 4,325.
Re 3,5 Ohm.
Cms 172,893 μ M/N.
Mms 13,759 gr.
BL 7,902 TM.
SD 13,273 MM.



PACKAGE

box 2 pcs.



Technical data sheet updated 12/04/2023

ATTENTION All images are included for illustrative purposes only. Phonocar S.p.A. reserves the right to make changes to the products even without notice. Any changes to the products are to be considered improvements and do not affect their functionality. All mentioned trademarks and reproduced logos belong to their legitimate owners and have been indicated for information purposes only.