

# IK W8-SVC2



## IMPACT

K-SERIES

200MM / 8INCH  
**1x2Ω SUBWOOFER**  
FOR COMPACT ENCLOSURES

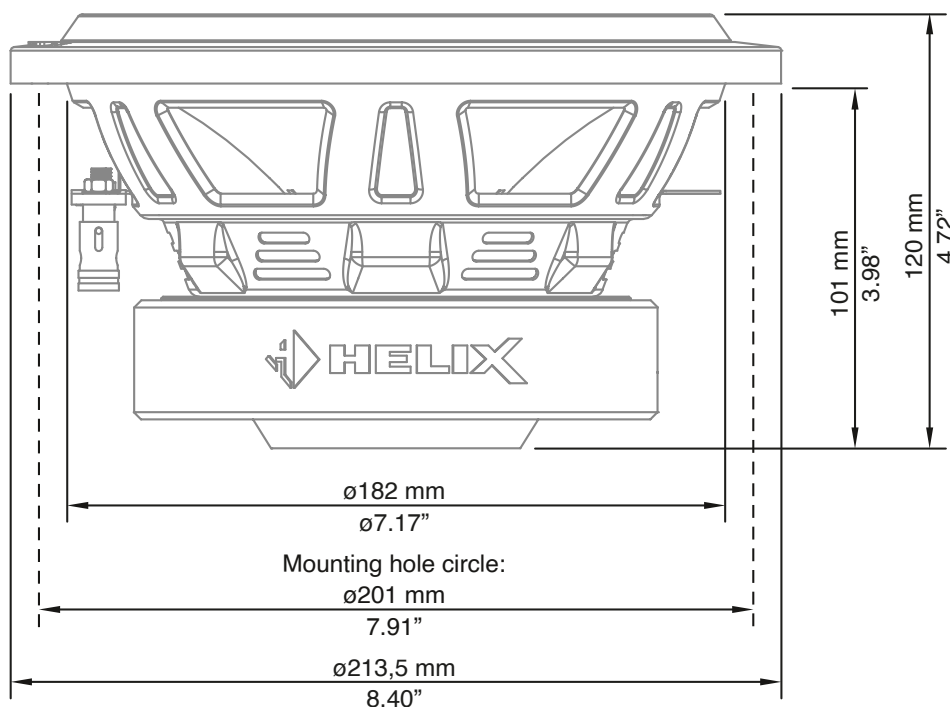


- 1 x 2 Ohms single voice coil
- Extremely stiff, hand-scooped paper cone for outstanding impulse response
- Double ventilated voice coil for minimum compression effects and high power handling
- Long-excursion rubber surround for highest mechanical rating
- Solid push terminals
- Powerful magnet system for compact enclosures
- Rugged magnet cover with HELIX lettering for perfect magnet protection
- Grille and gasket included in delivery



### Dimensions

Abmessungen



### Technical data

Technische Daten

|  |      |                                       |
|--|------|---------------------------------------|
| Power handling<br>Belastbarkeit                        | RMS  | 300 W                                 |
|  | Max. | 600 W                                 |
| Impedance<br>Impedanz                                  | Z    | 1 x 2 Ω                               |
| DC resistance<br>Gleichstromwiderstand                 | Re   | 2 Ω                                   |
| Resonance frequency<br>Resonanzfrequenz                | Fs   | 37 Hz                                 |
| Mechanical Q factor<br>Mechanische Güte                | Qms  | 4,01                                  |
| Electrical Q factor<br>Elektrische Güte                | Qes  | 0,49                                  |
| Total Q factor<br>Gesamtgüte                           | Qts  | 0,44                                  |
| Compliance<br>Nachgiebigkeit                           | Cms  | 190 μm/N                              |
| Equivalent air volume<br>Äquivalentvolumen             | Vas  | 13,4 L                                |
| Force factor<br>Kraftfaktor                            | B*I  | 10,2 Tm                               |
| Sensitivity<br>Wirkungsgrad                            | SPL  | 91 dB @ 2,83V / 1m<br>85 dB @ 1W / 1m |
| Cone area<br>Membranfläche                             | Sd   | 219 cm²                               |
| Moving mass<br>Bewegte Masse                           | Mms  | 86 g                                  |
| Mechanical resistance<br>Mechanischer Widerstand       | Rms  | 6,1 kg/s                              |
| Voice coil diameter<br>Schwingspuldurchmesser          | Ø    | 50,8 mm                               |
| Voice coil winding height<br>Schwingspulenwickelbreite |      | 24 mm                                 |
| Max. linear excursion<br>Max. linearer Membranhub      | Xmax | +/- 8 mm                              |

### Enclosure recommendations

Gehäuseempfehlungen

#### Sealed box

Geschlossenes Gehäuse

|  |  |
|--|--|
| Net volume<br>Nettovolumen                                     | 10 L   |
| Lower limiting frequency (-3dB)<br>Untere Grenzfrequenz (-3dB) | 45 Hz  |
| Recommended DSP settings<br>Empfohlene DSP-Einstellungen       | Highpass: "Self-Define"<br>46 Hz / Q = 1,5;<br>EQ Filter:<br>90 Hz / Q = 1 / -2,5 dB |

#### Vented box

Bassreflex-Gehäuse

|  |  |
|--|--|
| Net volume<br>Nettovolumen                                     | 9 L  |
| Port diameter<br>Reflex-Kanaldurchmesser                       | Ø 60 mm  |
| Port area<br>Reflex-Kanallfläche                               | 28 cm²   |
| Port length<br>Reflex-Kanallänge                               | 46 cm (angled port)  |
| Port tuning frequency<br>Tunnelabstimmungsfrequenz             | Fb 38 Hz   |
| Lower limiting frequency (-3dB)<br>Untere Grenzfrequenz (-3dB) | 41 Hz  |
| Recommended DSP settings<br>Empfohlene DSP-Einstellungen       | Highpass: "Self-Define"<br>40 Hz / Q = 1,2;<br>EQ Filter:<br>90 Hz / Q = 0,9 / -2 dB |

### Wiring configuration

Anschluss

#### 1 x 2 Ω configuration on one amplifier channel

1 x 2 Ω Konfiguration an einem Verstärkerkanal

